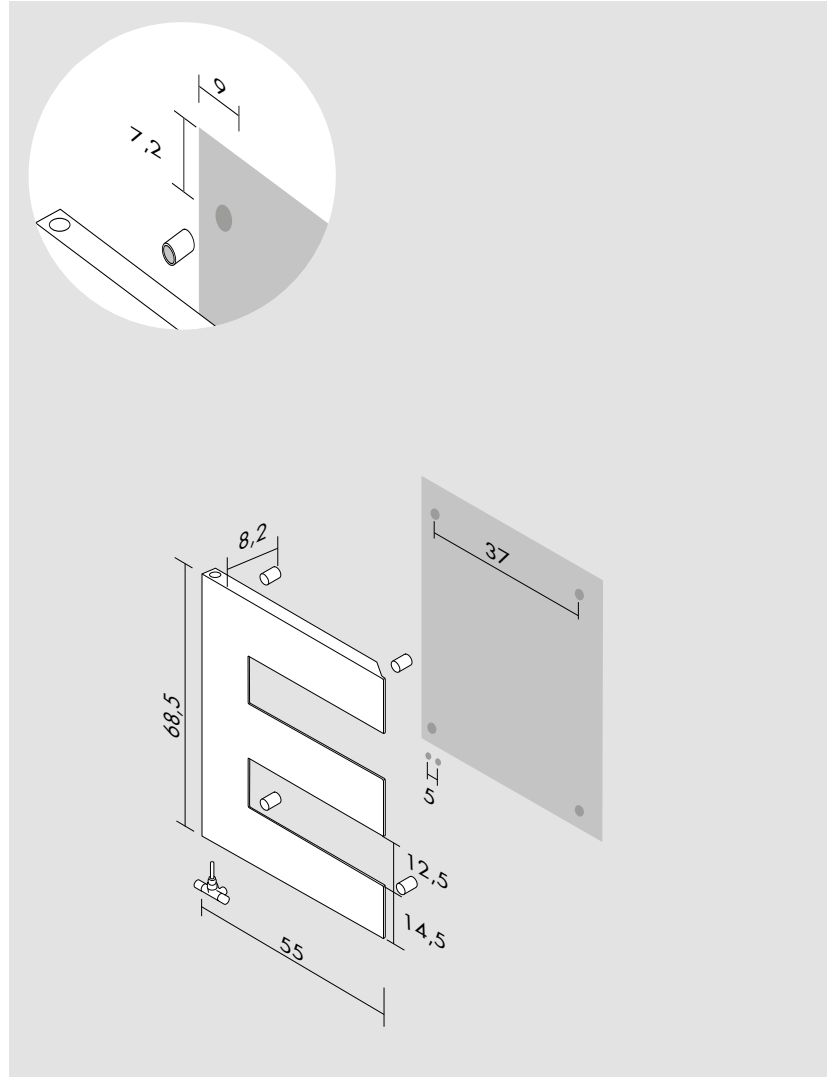


Kcal = Watt x 0.860
BTU = Watt x 3.413

Watt Δt 60° = Watt Δt 50° x 1.260
Watt Δt 40° = Watt Δt 50° x 0.754
Watt Δt 30° = Watt Δt 50° x 0.523
Watt Δt 20° = Watt Δt 50° x 0.313

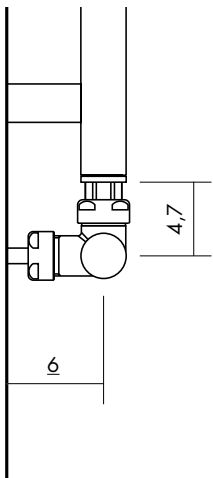
p max = 8.0 bar

Reversible radiator
Radiateur réversible
Reversibler Heizkörper
Radiador reversible



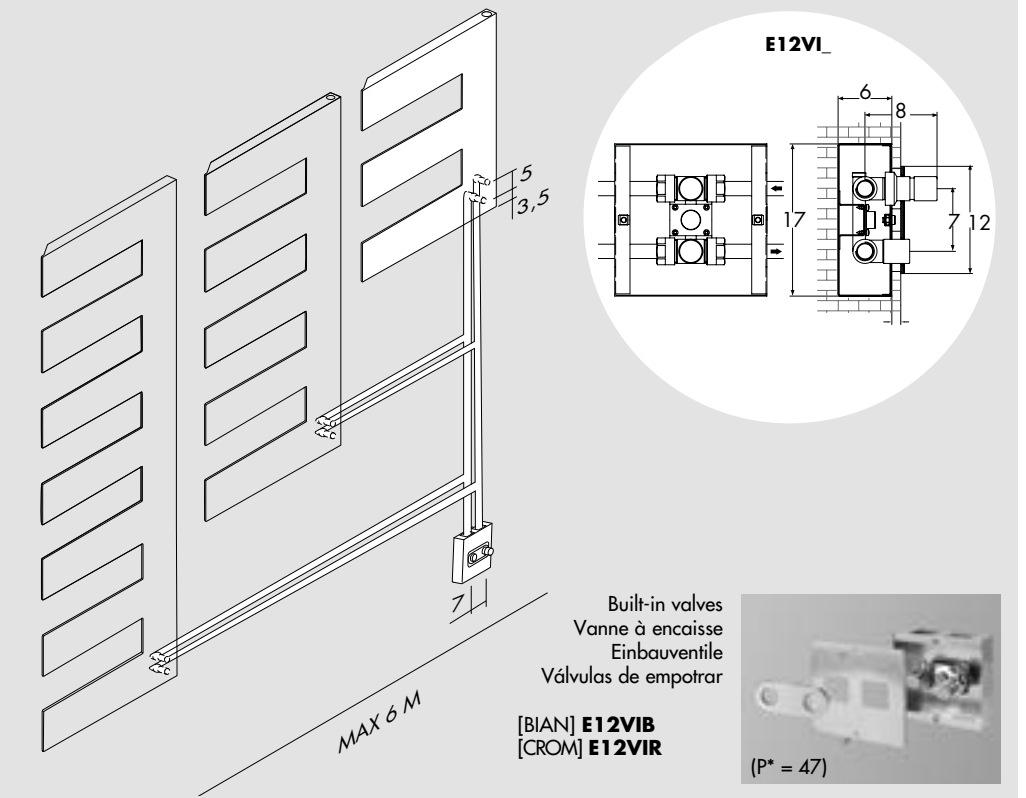
[F]

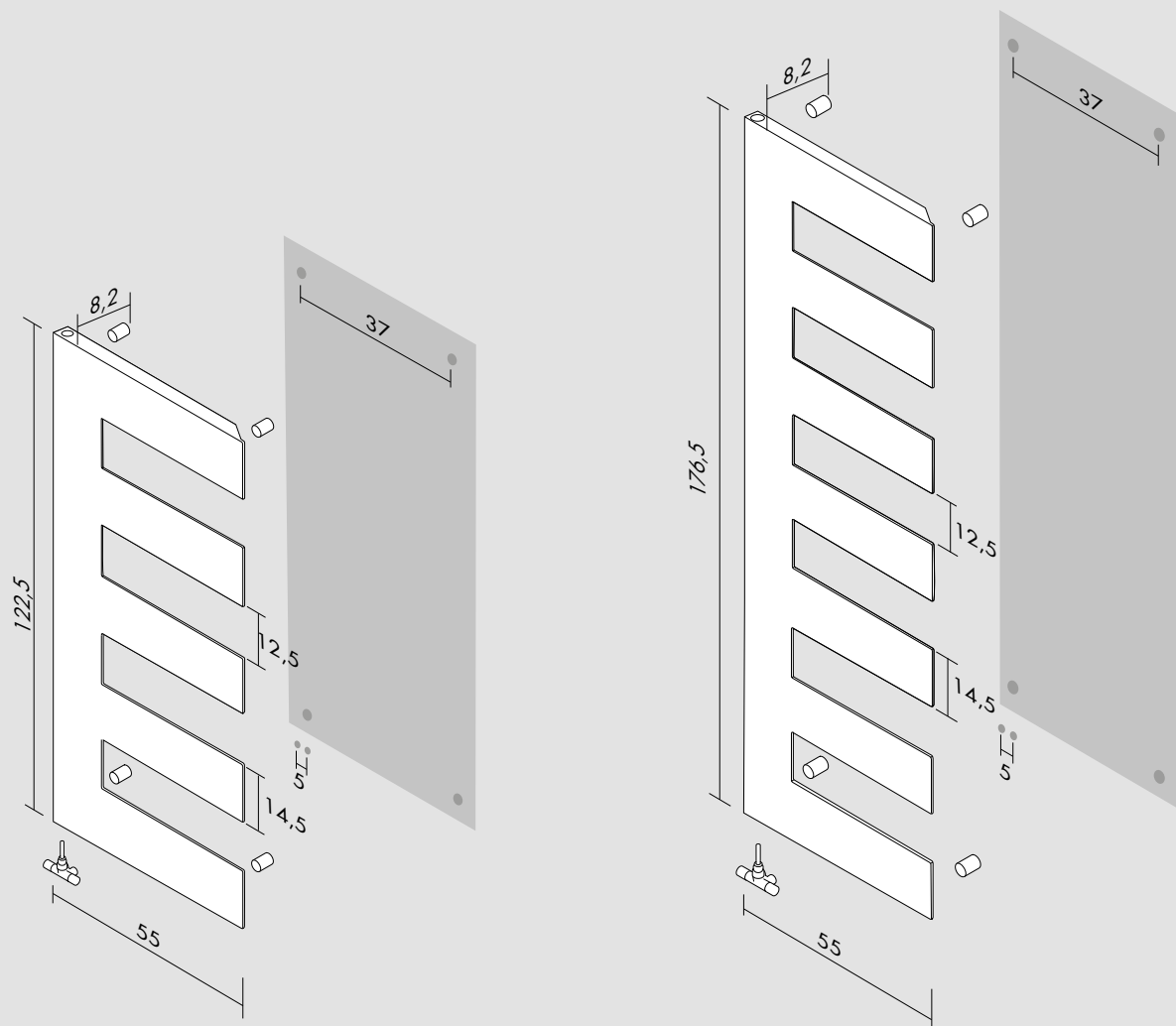
Standard connection / Raccord standard
Standard Anschluss / Conexión estándar



[H]

Special connection / Raccord spéciale / Speziell Anschluss / Conexión especial





Pettine

| H cm | L cm | I* cm | art* | Lt* | watt Δt 30° | watt Δt 50° |
|-------|------|-------|-------------------|-----|---------------------|---------------------|
| 68.5 | 55.0 | 5.0 | PTNA068055 | 1.0 | 147 | 282 |
| 122.5 | 55.0 | 5.0 | PTNA122055 | 1.9 | 248 | 474 |
| 176.5 | 55.0 | 5.0 | PTNA176055 | 2.8 | 338 | 647 |

Optional



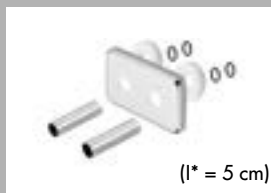
Angled monotube valve
 Vanne monotube équerre
 Einrohrige Ventil
 Válvula monotubo a escuadra

[BIAN] **E12MBSQB**
 [CROM] **E12MBSQR**



Thermostatic head
 Tête thermostatique
 Thermostatkopf
 Cabezal termostático

[BIAN] **TTB**
 [CROM] **TTR**



Sleeving kit
 Kit couvre tuyau
 Rosetten
 Kit cubre tubo

[BIAN] **C5B**
 [CROM] **C5R**